

The 15SWS800 is a high power 15" professional subwoofer specially designed to reproduce sound at the very low end of the audio spectrum. This new design is capable of handling up to 1,600 Watts Continuous Music.

A bumped and undercut T-yoke assures a minimum of magnetic rectification (off centering) and a compatible maximum displacement.

The magnet assembly was designed with the assistance of a Finite Element Analysis (FEA) software in order to ensure optimization.

The 15SWS800 employs a 4" (100 mm) diameter 4-layer copper voice coil using over 80 grams of copper. This is wound in a fiberglass former, twice the thickness of typical formers, to drive the moving assembly with great rigidity.

A non-pressed long fiber pulp cone has the necessary stiffness to withstand the tremendous accelerating forces involved and is properly centered by two counteracting polycotton fiber spiders.

An triple cooling system consisting of a large diameter center hole surrounded by six smaller holes (directly cooling the gap) and six frame windows (cooling the air trapped between the two spiders) are responsible for an efficient heat transfer mechanism.

A highly reinforced aluminum injected frame is effective in absorbing mechanical shocks and acts as a heat sink without interfering with the magnetic field.

SPECIFICATIONS

Nominal diameter	380 (15)	mm (in)
Nominal impedance	8	
Minimum impedance @ 115 Hz.	6.9	
Power handling		
Peak	3,200	W
Continuous Music ¹	1,600	W
NBR ²	800	W
AES ³	600	W
Sensitivity (2.83V@1m) averaged from 60 to 200 Hz.	93	dB SPL
Power compression @ 0 dB (nom. power)	2.4	dB
Power compression @ -3 dB (nom. power)/2.	1.8	dB
Power compression @ -10 dB (nom. power)/10.	1.1	dB
Frequency response @ -10 dB	35 to 1,500	Hz

¹ Power handling specifications refer to normal speech and/or music program material, reproduced by an amplifier producing no more than 5% distortion. Power is calculated as true RMS voltage squared divided by the nominal impedance of the loudspeaker.

² NBR Standard (10,303 Brazilian Standard).

³ AES Standard (60 - 600 Hz).

THIELE-SMALL PARAMETERS

Fs	37	Hz
Vas	97.6 (3.44)	l (ft ³)
Qts	0.37	
Qes	0.38	
Qms	13.78	
τ (half space)	1.27	%
Sd	0.0814 (126.17)	m ² (in ²)
Vd (Sd x Xmax)	550 (33.56)	cm ³ (in ³)
Xmax (max. excursion (peak) with 10% distortion)	6.5 (0.26)	mm (in)
Xlim (max. excursion (peak) before physical damage)	24.5 (0.96)	mm (in)

Atmospheric conditions at TS parameter measurements:

Temperature	23 (73.4)	°C (°F)
Atmospheric pressure	1,012	mb
Humidity	68	%

Thiele-Small parameters are measured after a 2-hour power test using half AES power. A variation of ±15% is allowed.

ADDITIONAL PARAMETERS

L	24.8	Tm
Flux density	0.83	T
Voice coil diameter	100 (4)	mm (in)
Voice coil winding length	50.5 (165.7)	m (ft)
Wire temperature coefficient of resistance ()	0.00388	1/°C
Maximum voice coil operating temperature	250 (482)	°C (°F)
τ _{vc} (max. voice coil operating temp./max. power)	0.42 (0.81)	°C/W (°F/W)
Hvc (voice coil winding depth)	22.5 (0.88)	mm (in)
Hag (air gap height)	9.0 (0.35)	mm (in)
Re	5.6	
Mms	176 (0.388)	g (lb)
Cms	1.00	m/N
Rms	2.98	kg/s

NON-LINEAR PARAMETERS

Le @ Fs (voice coil inductance @ Fs)	7.201	mH
Le @ 1 kHz (voice coil inductance @ 1 kHz)	4.115	mH
Le @ 20 kHz (voice coil inductance @ 20 kHz)	2.473	mH
Red @ Fs	0.474	
Red @ 1 kHz	8.580	
Red @ 20 kHz	119,776	
Krm	3.9	
Kxm	18.2	mH
Erm	0.88	
Exm	0.83	



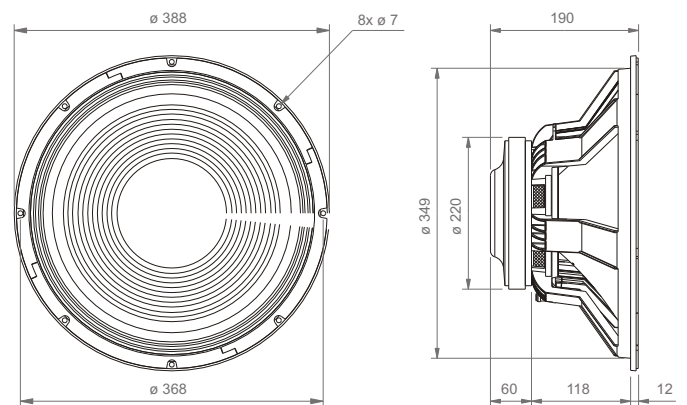
ADDITIONAL INFORMATION

Magnet material	Barium ferrite
Magnet weight	3,440 (120) g (oz)
Magnet diameter x depth	220 x 24 (8.66 x 0.95) mm (in)
Magnetic assembly weight	8,600 (18.96) g (lb)
Frame material	Aluminum
Frame finish	Black Silver epoxy
Voice coil material	Copper
Voice coil former material	Fiberglass
Cone material	Non pressed long fiber pulp
Volume displaced by woofer	7.2 (0.254) l (ft ³)
Net weight	10,400 (22.92) g (lb)
Gross weight	11,600 (25.57) g (lb)
Carton dimensions (W x D x H)	43 x 43 x 23 (16.9 x 16.9 x 9.0) cm (in)

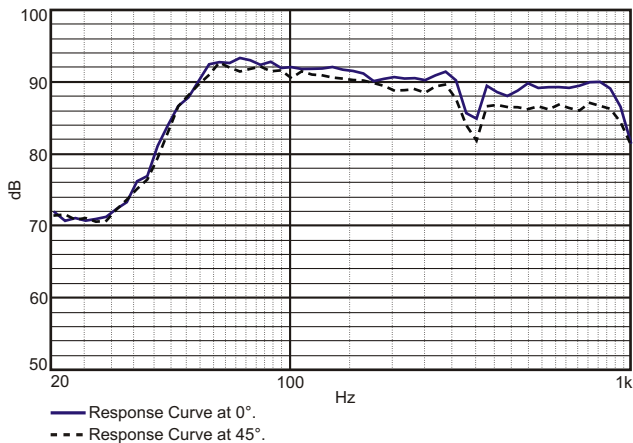
MOUNTING INFORMATION

Number of bolt-holes	8
Bolt-hole diameter	7.0 (0.27) mm (in)
Bolt-circle diameter	368 (14.48) mm (in)
Baffle cutout diameter (front mount)	351 (13.81) mm (in)
Baffle cutout diameter (rear mount)	345 (13.58) mm (in)
Connectors	Silver-plated push terminals
Polarity	Positive voltage applied to the positive terminal (red) gives forward cone motion

Minimum clearance between the back of the magnetic assembly and the enclosure wall 75 (3) mm (in)

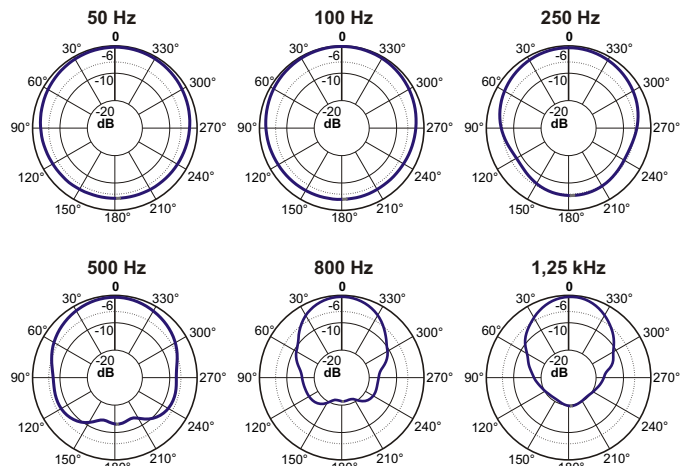


RESPONSE CURVES (0° AND 45°) IN A TEST ENCLOSURE ON GROUND PLANE AND OUTDOOR ENVIRONMENT, 1 W / 1 m

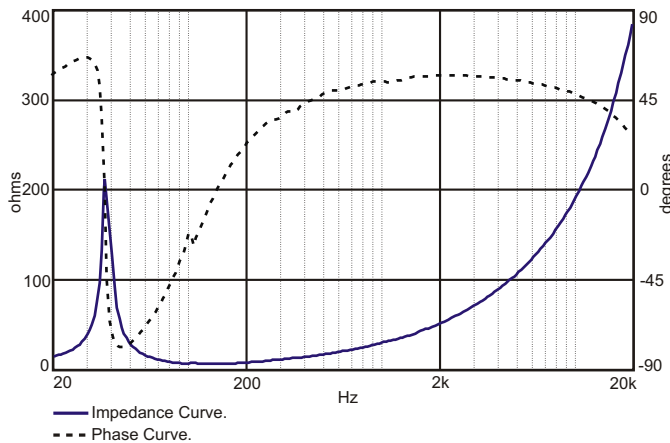


Response curves measured on ground plane and outdoor environment with the subwoofer installed in a test enclosure, 1 W / 1 m. This curves was decreased 6 dB to compensate the ground plane gain.

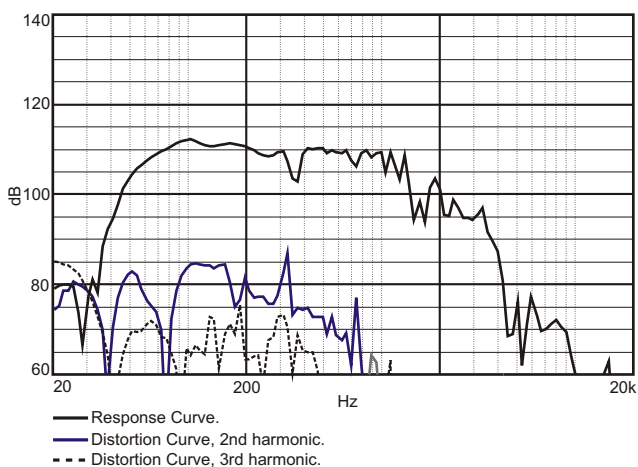
POLAR RESPONSE CURVES



IMPEDANCE AND PHASE CURVES, MEASURED IN FREE-AIR



HARMONIC DISTORTION CURVES MEASURED AT 10% AES INPUT POWER IN A TEST ENCLOSURE INSIDE AN ANECHOIC CHAMBER, 1 m



TEST ENCLOSURE

100-liter volume with 3 ducts ø 4" by 4.72" length.

HOW TO CHOOSE THE RIGHT AMPLIFIER

The power amplifier must be able to supply twice the RMS driver power. This 3 dB headroom is necessary to handle the peaks that are common to musical programs. When the amplifier clips those peaks, high distortion arises and this may damage the transducer due to excessive heat. The use of compressors is a good practice to reduce music dynamics to safe levels.

FINDING VOICE COIL TEMPERATURE

It is very important to avoid maximum voice coil temperature. Since moving coil resistance (R_c) varies with temperature according to a well known law, we can calculate the temperature inside the voice coil by measuring the voice coil DC resistance:

$$T_B - T_A = \frac{R_B}{R_A} - 1 \cdot T_A \cdot 25 \cdot \frac{1}{25}$$

T_A, T_B = voice coil temperatures in °C.

R_A, R_B = voice coil resistances at temperatures T_A and T_B , respectively.
= voice coil wire temperature coefficient at 25 °C.

POWER COMPRESSION

Voice coil resistance rises with temperature, which leads to efficiency reduction. Therefore, if after doubling the applied electric power to the driver we get a 2 dB rise in SPL instead of the expected 3 dB, we can say that power compression equals 1 dB. An efficient cooling system to dissipate voice coil heat is very important to reduce power compression.

NON-LINEAR VOICE COIL PARAMETERS

Due to its close coupling with the magnetic assembly, the voice coil in electrodynamic loudspeakers is a very non-linear circuit. Using the non-linear modeling parameters K_{rm} , K_{xm} , E_{rm} and E_{xm} from an empirical model, we can calculate voice coil impedance with good accuracy.

SUGGESTED PROJECTS

HB 1505 D1 HB 1502 B1 PAS 3G2 HB 1505 C1

For additional project suggestions, please access our website.